

ECOFRESH

Automatic Pond Feeder

- AC / DC Power Supply
- Digital Control Panel
- 6 Programmable Feed Times
- Adjustable Feed Duration
- Manual Feed Mode
- Wide Area of Coverage
- Suitable with Different Pellet Sizes
- Easy to Use
- Low Power Consumption
- Safe

* Suitable for Pellets from

3mm → 7mm



Product Features

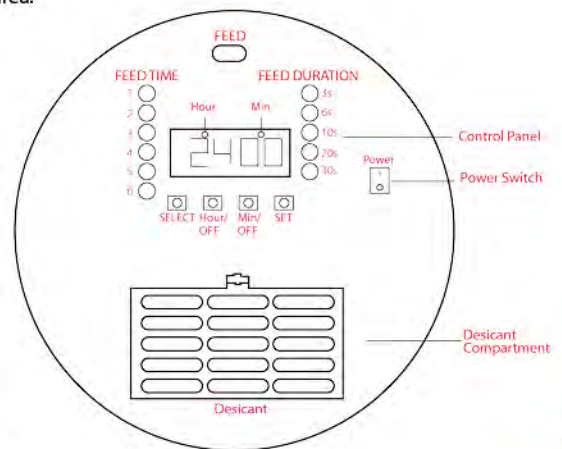
- **AC / DC Power Supply.** Never worry about batteries going flat again!
- **Digital Control Panel.** User friendly and easy to program.
- **6 Programmable Feed Times.** Keep your fish well fed throughout the day with up to 6 programmable feeding times per day.
- **Adjustable Feed Duration.** Choose between 5 different feeding durations to determine the amount of pellets to be dispensed during each feeding session.
- **Manual Feed Mode.** Activate the manual feed mode to dispense pellets any time you like!
- **Wide Area of Coverage.** The Spindle Brush distributes pellets over a wide feed coverage area.
- **Suitable with Different Pellet Sizes.** Compatible with pellet feed from 3mm – 7mm.
- **Easy to Use.** User-friendly control panel with digital LED display.
- **Low power consumption.** Energy saving design and components.
- **Safe.** DC low voltage operation.



Dispenser



LCD Display Panel



Code No.
PDA0008

Dimension
320 x 250 x 350mm

Max Feed Volume
12L

Power Supply
12V 1A DC Power Adapter

Packing
4 pieces/carton

UVLAB

Quality pond UV sterilizer / water clarifier

- Clears green water without chemical use
- Tough and Durable Design
- Easy installation and maintenance
- Safe for pond livestock and filter bacteria
- Multiple fittings provided for flexibility in application
- Can be installed with existing filtration system
- Kills harmful suspended bacteria pathogens and fungal spores

Features:

Pondpro UVLAB is designed and built to eliminate green water problems as well as

- UV Lab clears green water fast without chemical use by killing free floating algae (with UVC); the equipment is designed to keep your livestock and filter bacteria safe
- Highly effective in disease prevention and improving overall water conditions by eliminating harmful free floating bacteria pathogens & fungal spores
- Helps in preventing parasite infestation by killing free floating parasites that is exposed to the UVC
- Designed to increase exposure / dwell time for added efficiency
- Multiple fittings provided for flexibility in application
- Can be easily fitted to your existing pond filtration system
- Easy installation and maintenance
- Stainless Steel body for extra toughness and durability, its reflective nature also improves effectiveness of UVC by 50% and more



Stainless Steel body for extra toughness and durability, its reflective nature also improves effectiveness of UVC by 50% and more.

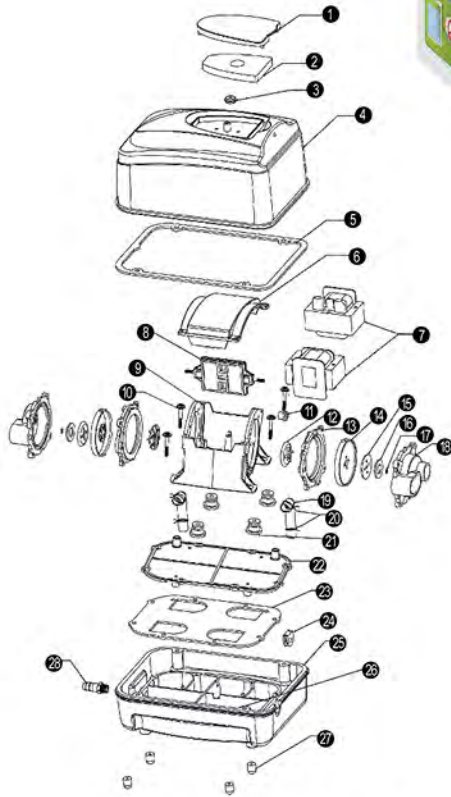


Code No.	Description	Recommended Tank / Pond Size	Power	Packing Consumption
PDU0001	UVLAB-15W	Up to 10000 L	15W	6 pieces/carton
PDU0002	UVLAB-25W	Up to 20000 L	25W	4 pieces/carton
PDU0003	UVLAB-30W	Up to 30000 L	30W	4 pieces/carton
PDU0004	UVLAB-55W	Up to 55000 L	55W	4 pieces/carton

AIRLAB

High performance air pump for pond & aquariums

- Provides Strong & Constant Aeration
- Noise & Vibration Dampening Design
- Tough, Durable Body & Mechanics
- Low Energy Consumption



- | | |
|-------------------------|-----------------------|
| 1. Air Inlet Cover | 15. Diaphragm Meson |
| 2. Filter Wool | 16. O-Ring |
| 3. Air Inlet Button | 17. Nut |
| 4. Upper Casing | 18. Diaphragm Casing |
| 5. Silencer | 19. Rubber Hose |
| 6. Motor Cover | 20. Clip |
| 7. Magnetic Coil | 21. Supporting Stud |
| 8. Actuating Rod | 22. Motor Base Plate |
| 9. Motor Base | 23. Seal |
| 10. Screw | 24. Outer Wire Guide |
| 11. Inner Wire Guide | 25. Bottom Casing |
| 12. Actuating Rod Meson | 26. Inner Filter Wool |
| 13. Diaphragm Base | 27. Pump Stud |
| 14. Diaphragm | 28. Air Outlet |



PDA0001

PDA0002

PDA0003

PDA0004

PDA0005

PDA0006

Code No.	Description	Max. Flow (L/Min)	Common Pressure	Power Consumption	Packing
PDA0001	EV20	30 L/MIN	0.025Mpa	20W	6 pieces/carton
PDA0002	EV40	45 L/MIN	0.025Mpa	25W	6 pieces/carton
PDA0003	EV60	65 L/MIN	0.046Mpa	45W	4 pieces/carton
PDA0004	EV80	85 L/MIN	0.046Mpa	55W	4 pieces/carton
PDA0005	EV100	105 L/MIN	0.048Mpa	60W	2 pieces/carton
PDA0006	EV120	120 L/MIN	0.048Mpa	70W	2 pieces/carton

AIRLAB BABY

Compact pond air pump

- Increases Dissolved Oxygen (DO) Levels In Your Pond
- Provides Strong Supply of Air Up To 1.80M Deep
- Weatherproofed Body Designed for Outdoor Use
- Low Energy Consumption

Features:

The AIRLAB BABY is a compact outdoor air pump that aerates your pond and increases your pond's dissolved oxygen level, keeping your fish healthy and lively.



1. Compact design with twin outlets
2. Weatherproofed body designed for outdoor use
3. Adjustable dial to control air output
4. Strong air supply for air stones up to 1.80m deep
5. 10m airline, check valve and air stones included
6. Low energy consumption

Code No.	Max. Output (LPH)	Max Pressure	Power Consumption	Packing
PDA0007	2 x 360 LPH	0.028Mpa	10W	12 pieces/carton

RAPIDPUMP

High performance amphibious pump

- Provides Strong & Constant Water Flow
- Energy-saving Inverter Technology
- Tough Closed Impeller & Rotor system
- Silent, Tough and Durable Design
- Low Energy Consumption
- Wet or Dry Mount



PDP0001



PDP0002



PDP0003

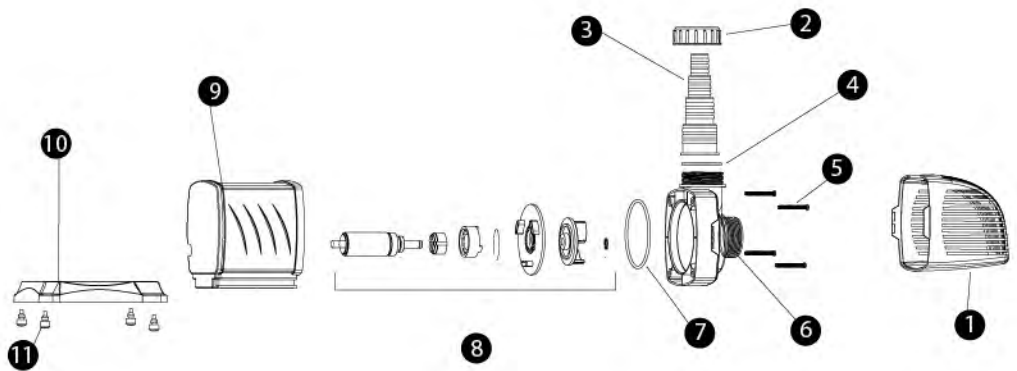


PDP0004



PDP0005

1. Prefilter
2. Hosetail Nut
3. Hosetail
4. 'O' Ring
5. Screws
6. Pump Body Cover (Impeller Mounting Block)
7. 'O' Ring
8. Closed Impeller & Rotor Assembly
9. Pump Body
10. Base Plate
11. Rubber Leg



Code No.	Description	Max. Flow (L/H)	H/Max. (M)	Power Consumption	Packing
PDP0001	3500	3500 L/H	3m	25W	6 pieces/carton
PDP0002	5000	5000 L/H	3.5m	45W	6 pieces/carton
PDP0003	6500	6500 L/H	4m	50W	6 pieces/carton
PDP0004	8000	8000 L/H	4.5m	75W	4 pieces/carton
PDP0005	10000	10000 L/H	5m	85W	4 pieces/carton

RAPID SHIELD

High performance amphibious pump with cage pre-filter

- Robust Pump Cage Pre-filte
- Provides Strong & Constant Water Flow
- Energy-saving Inverter Technology
- Tough Closed Impeller & Rotor system
- Silent, Tough and Durable Design
- Low Energy Consumption

Features:

Pondpro RAPID SHIELD is designed and built to provide reliable pumping performance in challenging conditions.

- Tough and durable design for high performance water output.
- Robust ribbed Pump Cage Pre-filter offers excellent protection against clogging by filtering out solid particles (>8mm) and fallen leaves, significantly extending pump performance and durability.
- Tough Closed Impeller & Rotor system delivers high performance with added durability.
- Interchangeable Parts allows easy replacement of parts to maintain performance level.
- Eco-friendly Invertor Technology reduces energy consumption.



PDP0006

PDP0007

PDP0008

PDP0009

PDP0010

Code No.	Description	Max. Flow (L/H)	H/Max. (M)	Power Consumption	Packing
PDP0006	3500	3500 L/H	3m	25W	2 pieces/carton
PDP0007	5000	5000 L/H	3.5m	45W	2 pieces/carton
PDP0008	6500	6500 L/H	4m	50W	2 pieces/carton
PDP0009	8000	8000 L/H	4.5m	75W	2 pieces/carton
PDP0010	10000	10000 L/H	5m	85W	2 pieces/carton